

## 1. Applications

EUROFLEX® Elephants, Rhinos, Dromedary and Pony can be used as more than just playthings, and can also be used as little islands in playgrounds. The jungle animals bring huge flexibility to the design of playgrounds and indoor play areas. Easy and inexpensive to install.

EUROFLEX® Animals are manufactured by an environment-friendly process and can be recycled as process raw material at the end of their service life.

They can be played on under almost any weather conditions.

## 2. Material

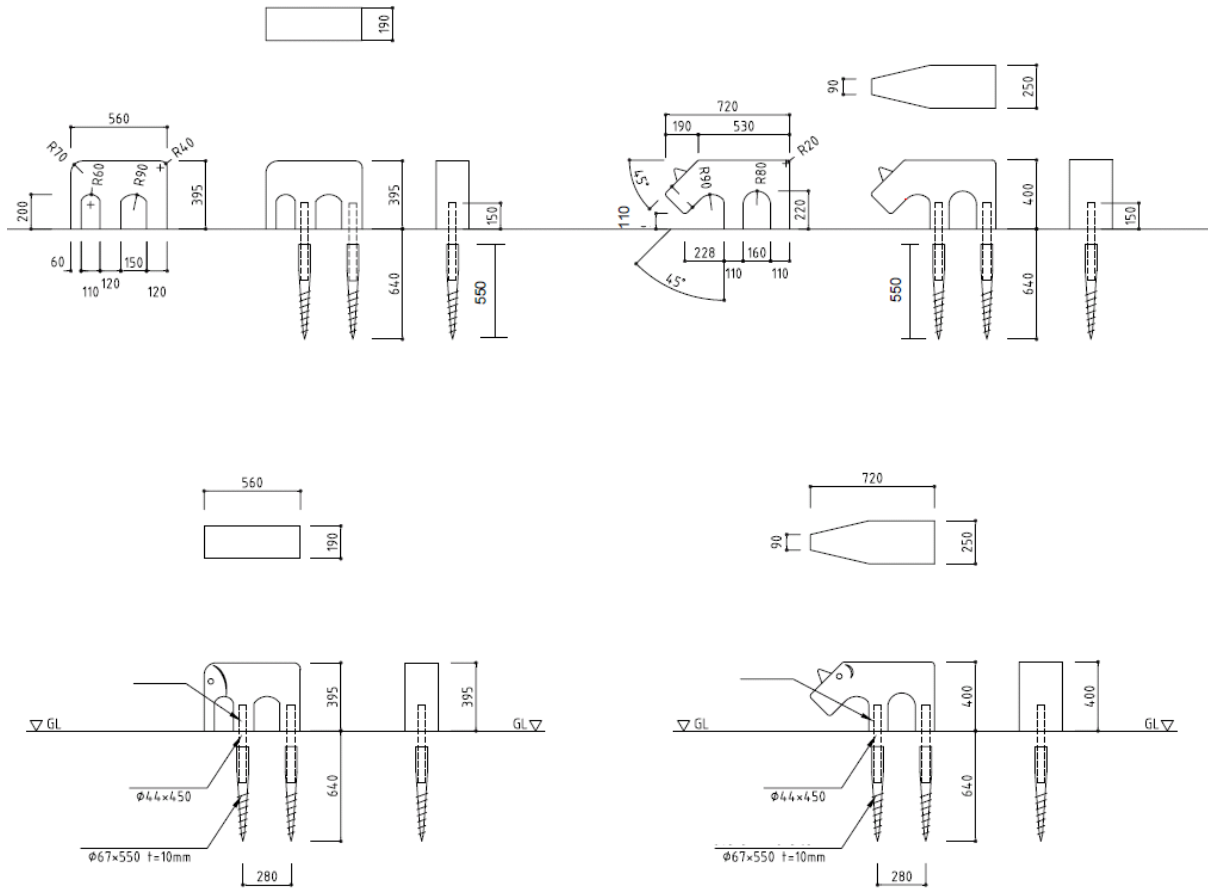
Rubber granulate: EPDM Rubber granulate and recycled rubber granulate  
Binding agent: MDI polyurethane

## 3. Characteristics

Colour Elephant, Rhino, Dromedary, Pony: red, green, blue, yellow, luminous orange, luminous yellow  
Colour for base plate: red, green, blue, yellow, luminous orange, luminous yellow  
minor colour variations and/or fading possible

## 4. Dimensions / Tolerances

Elephant L x W x H: approx. 560 x 190 x 395 mm  
Weight: approx. 30,0 kg  
Rhino L x W x H: approx. 700 x 250 x 400 mm  
Weight: approx. 30,0 kg  
Dromedary L x W x H: approx. 750 x 250 x 510 mm  
Weight: approx. 30,0 kg  
Pony L x W x H: approx. 580 x 200 x 470 mm  
Weight: approx. 33,0 kg  
Base plate: diameter 700 mm  
Weight: approx. 21,0 kg



## 5. Test Data

Conformity acc. to Regulation (EC) 1907/2006 SVHC list and appendix XVII  
Production facility inspection

## 6. Installation

Use the cardboard template provided to screw the anchor fixings into the ground at the right intervals. Use the fixing screw to fix the mounting tubes in the anchors.

Apply 1-component polyurethane adhesive cement to the mounting tubes. Slip the Elephant, Rhino, Dromedary, Pony over the mounting tubes, adhesive cement will dry overnight.

To remove the unit in wintertime, first loosen the fixing screws, pull the animal out of the base anchors together with the mounting tubes. Use the protective cap to keep water out of the base anchor in winter.