

**Installation of Socket**

Use installation bar to screw socket into ground.



Continue to screw in until top edge of socket is at ground level.

Remove the two inside reducing adapter. Insert three remain reducing adapter into socket.



Insert metal pipe

Fix in place by tightening screw.



All information without guarantee, subject to change. The installation instruction is not subject to any change service. Each current and valid from can be recalled at [www.kraiburg-relastec.com/euroflex/](http://www.kraiburg-relastec.com/euroflex/)

page 1 of 4

**Installation of Mushrooms**

Use adhesive gun to apply 1-component PU adhesive cement (e.g. Ottocoll M 500) to pipe.

Apply adhesive cement to recess of stalk.

Place stalk over pipe.



Apply 1-component PU adhesive cement (e.g. Ottocoll P 83 and Ottocoll M 500) to the cap. Place cap over stalk.



Allow at least 24 hours curing time before use.

To avoid colour variations due to differences in sunlight exposure, leave the UV-protection film on the products as supplied until just prior to installation.



All information without guarantee, subject to change. The installation instruction is not subject to any change service. Each current and valid from can be recalled at [www.kraiburg-relastec.com/euroflex/](http://www.kraiburg-relastec.com/euroflex/)

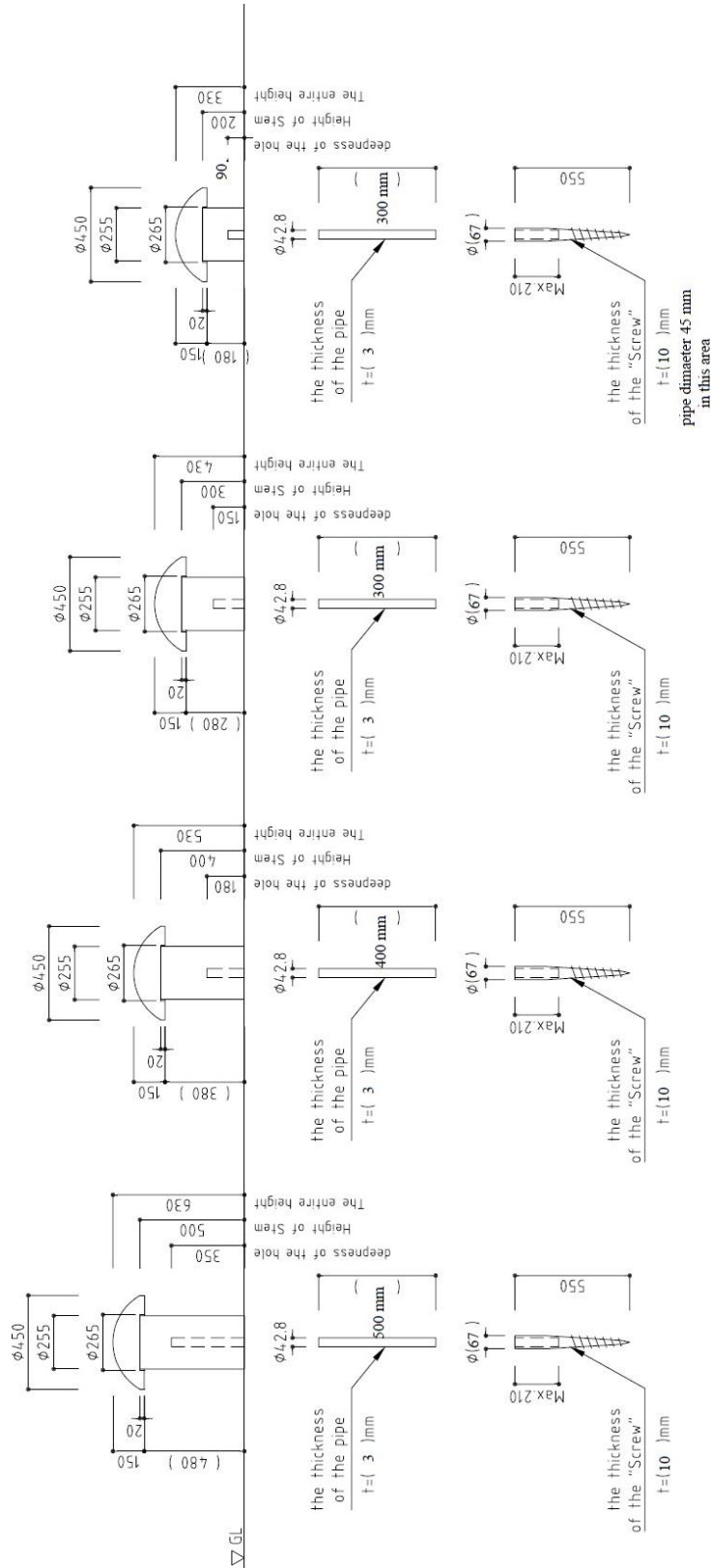
page 3 of 4

the length of  
the Stem is 200mm

the length of  
the Stem is 300mm

the length of  
the Stem is 400mm

the length of  
the Stem is 500mm



All information without guarantee, subject to change service. Each current and valid from can be recalled at [www.kraiburg-relastec.com/euroflex/](http://www.kraiburg-relastec.com/euroflex/)