

### Subbase

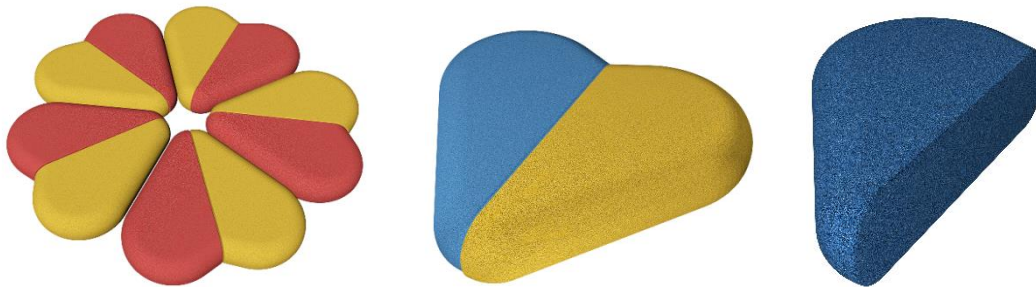
The subbase must be stable and planar.

### Installation

The EUROFLEX® Design Elements Heart could be installed with the soil anchor on a stable compacted subbase or direct in a fresh prepared concrete bed.

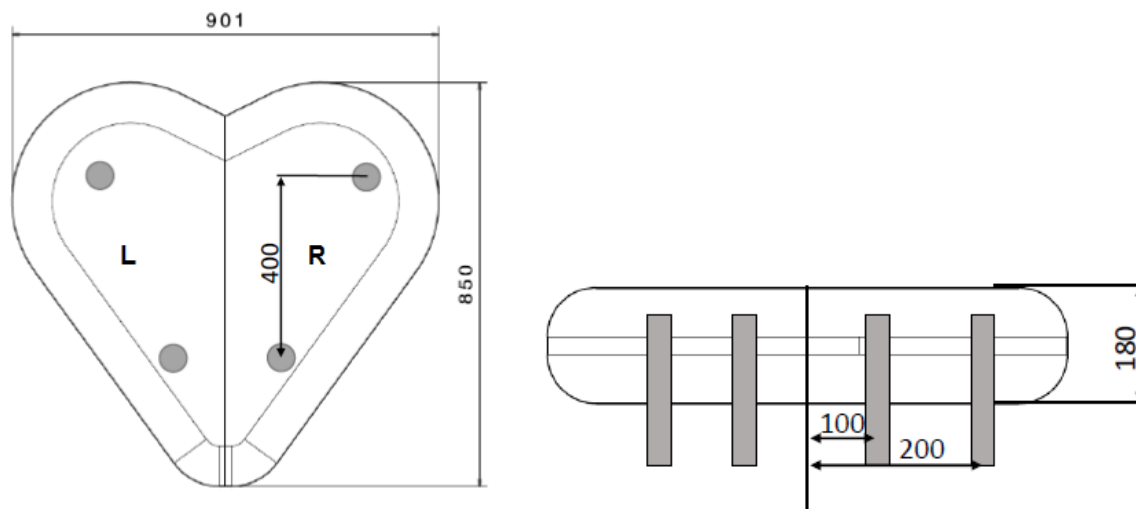
Based on the Layout example it gives different possibilities.

- Horizontal variation:



Every half heart must even installed with the soil anchor.

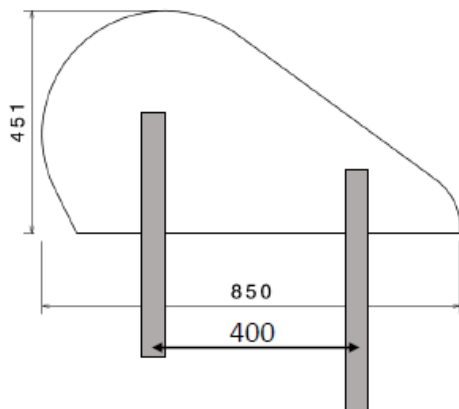
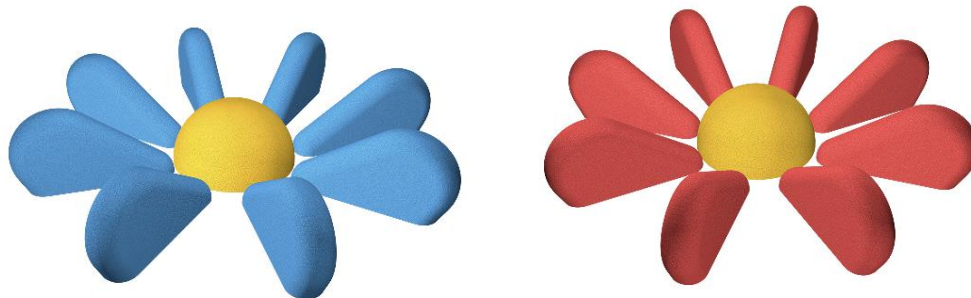
To get a better stability it is recommend gluing both parts together with the polyurethane glue.



All information without guarantee, subject to change. The installation instruction is not subject to any change service. Each current and valid from can be recalled at [www.kraiburg-relastec.com/euroflex/](http://www.kraiburg-relastec.com/euroflex/)

- Vertical variation:

In combination with EUROFLEX® half balls it is possible to create flowers.



Gluing the soil anchor with the design elements should be done with polyurethane glue Ottocoll M 500 (red) or P83 (grey) before installation.

**ATTENTION:** it must be save that the design elements holohedral laid on a stable subbase. Recommended is a concrete bed special for the vertical version.