

Substructure

The subbase must be even and stable against frost.

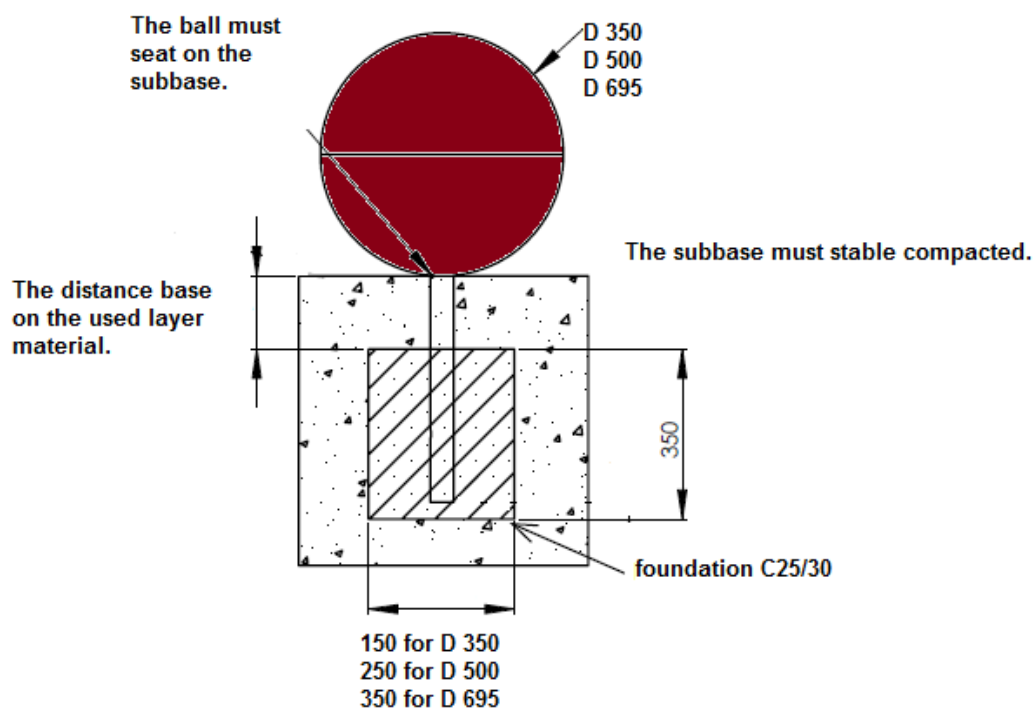
Installation

Install EUROFLEX® ball by optional steel mounting anchor into a prepared fresh concrete bed located over a stable-bearing substructure.

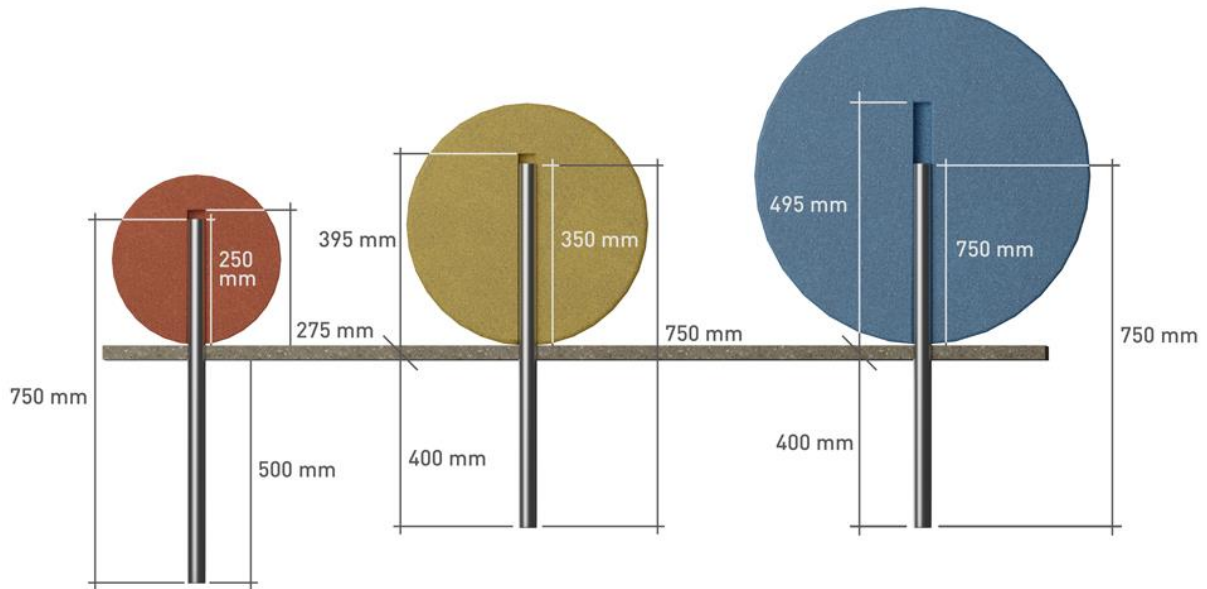
EUROFLEX® half ball can installed directly in a fresh concrete bed or glued on a rubber surface like EUROFLEX® slabs. Glue the steel anchor into the ball with Polyurethane glue Ottocoll M 500 (red) or Ottocoll P83 (grey) 1 cartridge for 3 half balls/.

Attention: it must be save that the ball holohedral layed on an stable subbase.

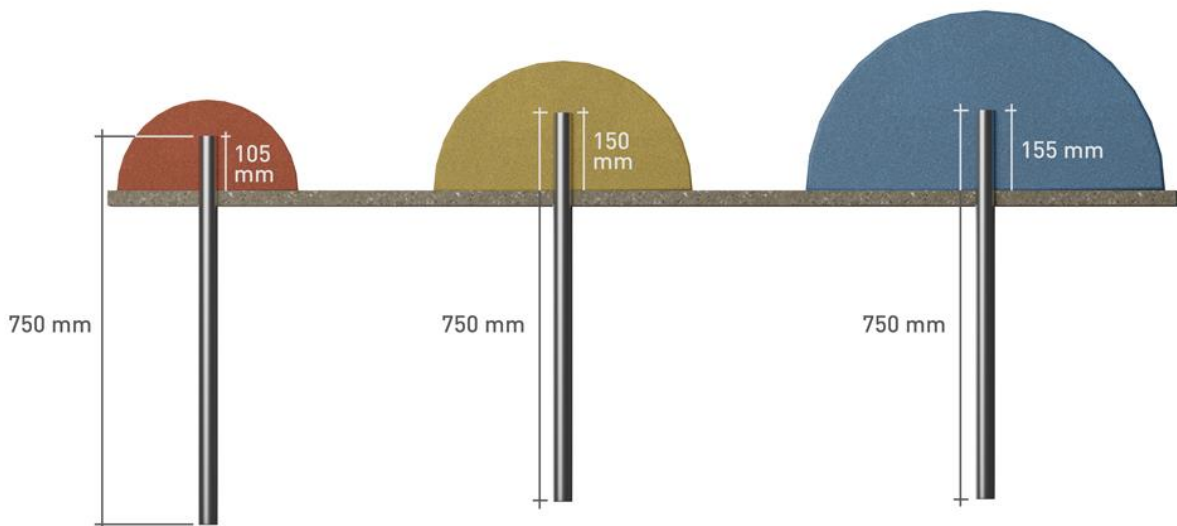
An concrete bed equal with the ball diameter is recomand.



Installation ball:



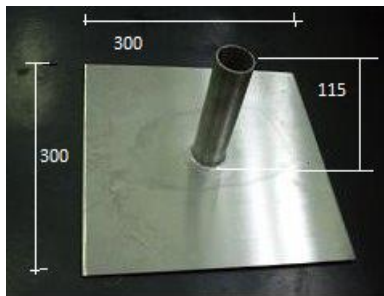
Installation half ball



Outside – diameter metal pipe approx 42mm Inside – diameter pipe approx 38mm

All information without guarantee, subject to change. The installation instruction is not subject to any change service. Each current and valid from can be recalled at www.kraiburg-relastec.com/euroflex/

Steel plate:



Ground anchor steel pipe



Diameter metal pipe approx. 40mm

The pipe must be positively glued to the ball or half ball under using 1 cartridge for 3 half balls/balls.

Half balls could install directly in a fresh concrete bed or glued on the Euroflex slabs.



To avoid colour variations due to differences in sunlight expose, leave the UV protection film on the products as supplied until just prior to installation.